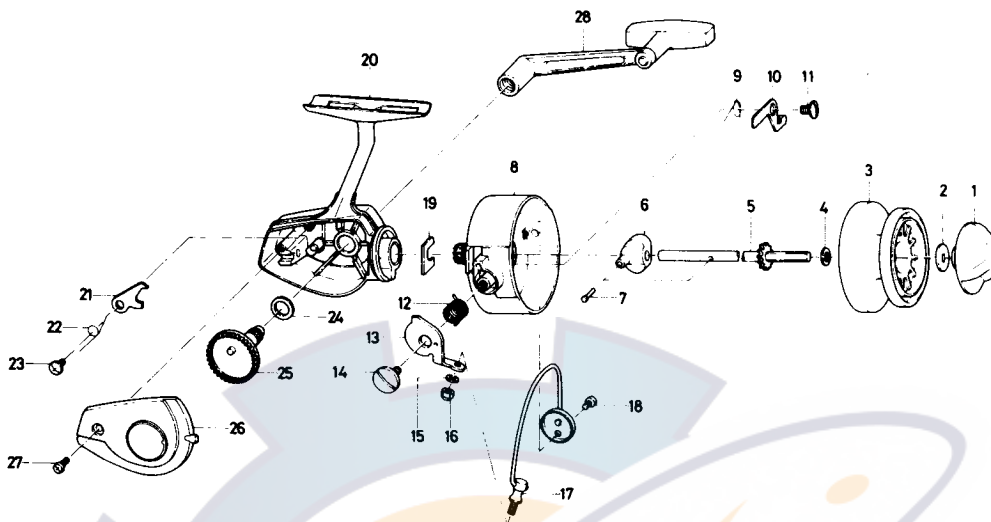


SPINNING REEL **402**



LINE CAPACITY: 200 YDS., 8 LB. TEST (185m. 3.6kg)

Key No.	Parts No.	Parts Name	Price Per Piece	Key No.	Parts No.	Parts Name	Price Per Piece
1	6-441-3501	Drag knob	\$.55	15	6-160-0121	Bail washer	\$.10
2	6-374-7901	Drag washer	.15	16	6-341-9902	Bail nut	.20
3	6-730-8001	Spool	1.50	17	6-725-6701	Bail	1.40
4	6-374-6400	Spool washer	.10	18	6-352-0402	Bail holder screw	.10
5	6-711-1501	Main shaft	.70	19	6-632-4011	Pinion retainer	.10
6	6-480-5101	Oscillating slider	.10	20	6-700-8401	Body	2.50
7	6-490-4411	Oscillating slider pin	.10	21	6-111-5501	Anti-reverse claw	.10
8	6-736-3801	Rotor	2.50	22	6-144-6111	Anti-reverse claw spring	.10
9	6-142-5711	Bail kick lever spring	.10	23	6-350-1931	Anti-reverse claw screw	.10
10	6-570-6511	Bail kick lever	.45	24	6-373-0100	Drive gear washer	.10
11	6-353-6501	Bail kick lever screw	.10	25	6-412-8901	Drive gear	.70
12	6-140-9231	Bail spring	.15	26	6-706-3801	Body cover	.60
13	6-231-1001	Arm lever	.45	27	6-351-6401	Body cover screw	.10
14	6-362-3411	Arm lever screw	.60	28	6-746-4801	Handle	1.30